



## Maharashtra State Power Generation Company Ltd.

(Govt. Of Maharashtra Undertaking)

Project and Planning Department, "Prakashgad"  
3<sup>rd</sup> Floor, Bandra (East), Mumbai-51

### **Notice Inviting Tender**

Tenders are invited for --- "Open tender for consultancy and Engineering services for replacement/retrofitting of Combined Cycle Power Plant for Gas Turbine Power Station at Uran."

**(Tender Code (RFx) No. 3000014471 )**

The detailed NIT and prequalification requirements can be viewed on Mahagenco website [www.mahagenco.in](http://www.mahagenco.in) under Tenders --- Head office Tenders and <http://eprocurement.mahagenco.in>.

For accessing the tender document visit our website: -

<http://eprocurement.mahagenco.in>. The bidders already registered for Mahagenco SRM E-tendering system can access/download the tender after due payment of tender fee. The tender document will be available for online sale from 07.12.2020 to 11.01.2021.

For the bidders who are not registered with Mahagenco SRM e-tendering system are required to be registered with Mahagenco. Registration will be done after furnishing and physical verification of the required documents/details of the company. The registration procedure is given on <http://eprocurement.mahagenco.in> in Documentation section.

The bidders are required to visit [www.mahagenco.in](http://www.mahagenco.in) and or <http://eprocurement.mahagenco.in> for corrigendum/amendments, if any at a future date.

For further clarification, following engineers of Project & Planning can be contacted on

- 1) Supdt. Engineer, Project & Planning 022-26474211(Extn:2304) / Mob.No.8879770703
- 2) Executive Engineer, Project & Planning 022-26474211(Extn:2465) / Mob.No.8879770725

Email: - [cgmpp@mahagenco.in](mailto:cgmpp@mahagenco.in) / [segpp1@mahagenco.in](mailto:segpp1@mahagenco.in) / [eegpp14@mahagenco.in](mailto:eegpp14@mahagenco.in).

Sd/-  
Chief Engineer(P&P),

## Schedule of Tender (RFx) No. 3000014471

Open Tender in SRM for “Open tender for consultancy and Engineering services for replacement/retrofitting of Combined Cycle Power Plant for Gas Turbine Power Station at Uran.”

Sr.	Activity	Date
1	Start Date of Acceptance of Tender Fee by MAHAGENCO and Download of Tender Document.	08.12.2020 14:00 Hrs
2	Last Date of Acceptance of Queries / Comments from Bidders.	22.12.2020, 17:00 Hrs
3	Pre Bid Meeting via Video Conferencing	23.12.2020, 11:00 Hrs
4	Last Date of Acceptance of Tender Fee By MAHAGENCO and Download of Tender Document	11.01.2021, 17:00 Hrs
5	Last Date for Submission of Online Bid (Techno-Commercial and Price Bids) along with EMD.	12.01.2021, 17:00 hrs
6	Last Date for Submission of Bid (Techno-Commercial) in Physical form along with original EMD-BG.	13.01.2021, 13:00 Hrs
7	Due Date for Opening of Techno-Commercial Bids	13.01.2021, 15:00 Hrs
8	Opening of Price Bid of Qualified Bidders	Will be intimated by mail

Sd/-  
Chief Engineer (P&P),



**MAHARASHTRA STATE POWER GENERATION CO. LTD**

**BID SPECIFICATIONS**

For

**CONSULTANCY ENGINEERING SERVICES**

For

**Replacement/Retrofitting of Combined Cycle Power Plant**

For

**Gas Turbine Power Station, Uran**

**CE (P&P)/BTG/Consultancy service/GTPS/Uran/replacement/**

**RFx.3000014471**

**(December - 2020)**

**CHIEF ENGINEER (P&P)**

Projects & Planning Department,

MSPGCL, 'Prakashgad' 3<sup>rd</sup> floor,

Bandra (E), Mumbai- 400 051.

PhoneNo.(022) 2647 42 11

Email: [cgmpp@mahagenco.in](mailto:cgmpp@mahagenco.in), [eegpp14@mahagenco.in](mailto:eegpp14@mahagenco.in)

# MAHARASHTRA STATE POWER GENERATION CO. LTD.

## NOTICE INVITING BIDS

Local Competitive Bidding for CONSULTANCY ENGINEERING SERVICES

For

Replacement/retrofitting of Combined Cycle Power Plant

For

Gas Turbine Power Station, Uran

(TO BE SUBMITTED ONLINE DULY FILLED IN AND DIGITALLY SIGNED)

### Date of issuance of invitation:

The Maharashtra State Power Generation Co. Ltd., Mumbai, India (MAHAGENCO) invites online bids in two system (Part - 1: Techno-commercial Bid and Part 2: Price Bid) through Local Competitive bidding (LCB) for CONSULTANCY & ENGINEERING SERVICES for Replacement/retrofitting of Combined Cycle Power Plant (CCPP) for Gas Turbine Power Station, Uran Tal. Uran Dist. Raigad.

Schedule	Particulars
A	1) Site visit, Feasibility Study for selection of viable option 2) Preparation of Detailed Project Report (DPR)
B	1) Preparation of technical specifications for tender. 2) Carrying out pre-bid meeting, preparation of pre-bid reply, Post bid activities i.e. tender-commercial evaluation, finalization of bidder. 3) Approval of DBR, drawings, documents, procedures. 4) Project monitoring work of the Project till completion of PG Test.

The scope and other specifications are enclosed in this bid document is available for download on website <https://eprocurement.mahagenco.in> (SRM Portal) after acceptance of vendor registration fee and tender fee (Rs.25000/- plus 18% GST as applicable).

1	Start Date of Acceptance of Tender Fee by MAHAGENCO and Download of Tender Document.	08.12.2020
2	Last Date of Acceptance of Queries/Comments from Bidders	22.12.2020
3	Pre Bid Meeting	23.12.2020
4	Last Date of Acceptance of Tender Fee By MAHAGENCO and Download of Tender Document	11.01.2021
5	Last Date for Submission of Online Bid (Techno-Commercial and Price Bids)	12.01.2021
6	Last Date for Submission of Techno-Commercial along with Original EMD in physical.	13.01.2021
7	Due Date for Opening of Techno-Commercial Bids	13.01.2021
8	Opening of Price Bid of Qualified Bidders	Will be intimated by mail

MAHAGENCO reserves the right to cancel/withdraw this Invitation for Bids without assigning any reason for such decision.

CHIEF ENGINEER, (P&P)

NOTE:

This is an e-tender. Offers shall be submitted and processed in electronic mode only. Physical copies of required document will additionally need to be supplied for verification. The instructions to bidder/terms and conditions appearing in this specification only shall be applicable.

**SECTION-I**  
**INTRODUCTION TO BIDDER**

**1.0 INTRODUCTION:**

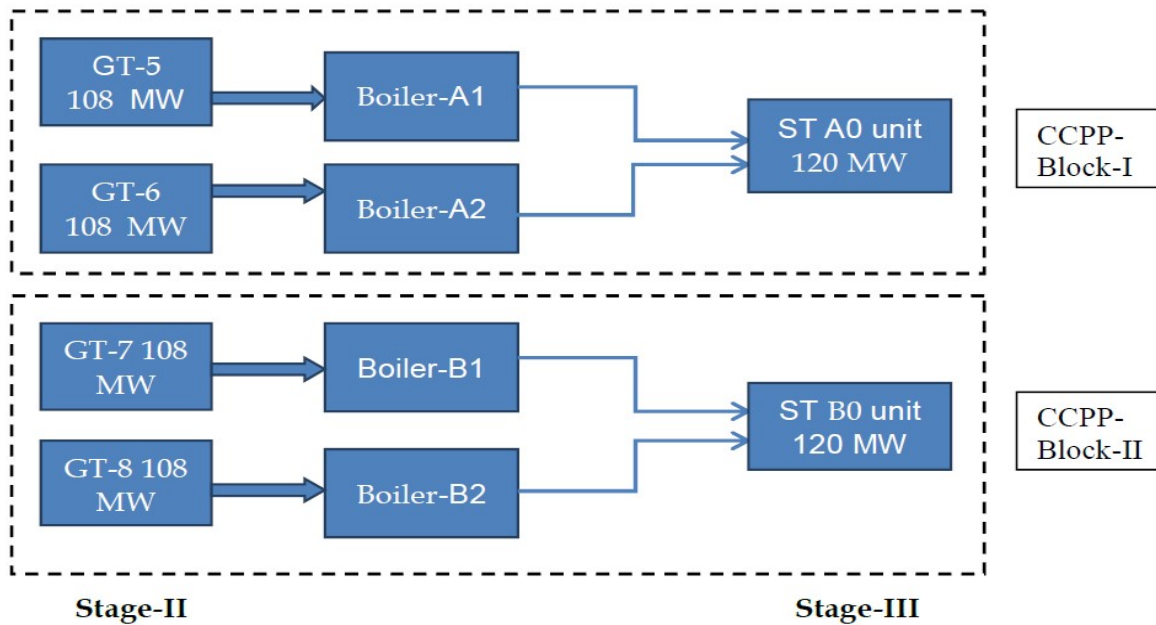
1.1 Maharashtra State Power Generation Co. Ltd. (hereinafter referred to and called as "MAHAGENCO" or "the Owner"), a company incorporated under the provisions of Indian Companies Act 1956 pursuant to decision of Govt. of Maharashtra to reorganize Erstwhile Maharashtra State Electricity Board (herein after referred to as "MSEB"). The said reorganization of the MSEB has been done by Govt. of Maharashtra pursuant to Part XIII read with Section 131 of the Electricity Act 2003. MAHAGENCO is engaged in the business of generation and supply of Electricity and has been vested with generation assets, interest in property, rights and liabilities of MSEB as per Gazette Notification dated 4<sup>th</sup> June 2005 issued by Dept. of Industry, Energy & Labour, Govt. of Maharashtra.

**1.2 BACKGROUND**

MAHAGENCO has Gas Based Power Station at Uran near Navi-Mumbai with present installed capacity of 672 MW. The unit capacities per stage are as under -

<b>Stage</b>	<b>Type of Unit</b>	<b>Capacity of Unit</b>	<b>Total Capacity</b>
Stage-I	Gas Turbine (GT)	4x60MW (De-commissioned)	
Stage-II	Gas Turbine (GT)	4x108MW	432 MW
Stage-III	Waste Heat Recovery Steam Turbine Units	2x120MW	240MW
<b>Present Installed Capacity of GTPS, Uran</b>			<b>672MW</b>

MAHAGENCO has already dismantled old units i.e. 4 units of 60 MW each in the year 2012. Presently, 4 units of 108 MW each along with Waste Heat Recovery Plants 2x120MW each with total Combined Cycle Power Plant (CCPP) capacity of 672MW are in operation. The present schematic configuration of the CCPP units at GTPS is as under –



Gas Turbines & Waste Heat Recovery Steam Turbines installed at Uran GTPS are of following make:

**GAS TURBINE:**

Manufacture: M/s KWU, Germany

Type: V94.2 model Version 2

(Now Siemens).

**STEAM TURBINE**

Manufacture: Siemens

Details	A0 Unit	B0 Unit
Equipment no.	T-7537	T-7538
Type	E	E

Gas Turbines (GT) of 4x108MW capacity are commissioned in the year 1985-1986 and the Waste Heat Recovery (WHR) Units of 2x120MW capacity are commissioned in the year 1994. GT of 4x108 MW capacity & WHR units of 2x120MW capacity have completed 34 years & 25 years of life respectively. These units have less efficiency as compared to the efficiency of New State of Art - Gas Turbines available in the Market.

## 2.0 CONTENTS OF BID DOCUMENTS:

- 2.1 The services required, bidding procedures and contract terms are prescribed in the Bid Specification. The bid specification includes following Sections and Annexure which shall collectively along with the Notice inviting tender, and any amendments and modifications to the bid specifications notified by the MAHAGENCO be referred to as the **“Bid Specification”**:

Instructions to bidders	Section - I
General terms and conditions	Section - II
Scope of contents	Section - III
Gen. Financial & Commercial Particulars of bidder.	Annexure-1
Qualification Data for Consultancy Services	Annexure-2
Particulars of Key Personnel	Annexure-3
Curriculum Vitae (CV) of Professional Personnel	Annexure-4
Division of Responsibility	Annexure-5
Deployment Of Personnel: Deleted	Annexure-6
Bid Proposal	Annexure-7
Proposed work plan and methodology	Annexure-8
Declaration Sheet	Annexure-9
Pro-forma for contract performance security	Annexure-10
Pro-forma Power of Attorney	Annexure-11
Price Schedule	Annexure-12
Undertaking for deviation	Annexure-13
Declaration For Debarment	Annexure-14
Bank Guarantee Proforma (EMD)	Annexure-15



2.2 The bidder shall carefully examine the Bid Specification and responsibility of verification of all the conditions and matters which may in any way affect to work or cost thereof lies on bidder. Bidders are requested to furnish all information required by the Bid Specification. If bidder find any discrepancies or omissions in the Bid Specifications or have any queries with respect to any provision of the Bid Specifications, he should at once notify to the MAHAGENCO at below mentioned address:

CHIEF ENGINEER (P&P)  
Projects & Planning Department,  
MSPGCL, 'Prakashgad' 3<sup>rd</sup> floor,  
Bandra (E) Mumbai- 400 051.  
Ph. No.(022) 26474211. Ext. 2209/2465  
Email: [cgmpp@mahagenco.in](mailto:cgmpp@mahagenco.in)

## **12.0 QUALIFYING REQUIREMENTS AS PER TENDER RFx.3000014471**

The Bidder shall furnish documentary evidence along with bid to establish that it fulfills the following Qualifying Requirements (QR),

### **12.1 TECHNICAL CRITERIA:**

12.1.1 The Bidder should have proven experience of providing consultancy services as Owner's Engineer or Contractor's Engineer in regards to review of design, detail Engineering, Erection/Replacement/retrofitting, testing, commissioning of Combined Cycle Power Plant of Gas Turbine either separately a part of other contract for Gas Turbine unit of 200 MW or above within last 10 years within India or in any other country. Bidder shall submit relevant Proven Experience certificate from end user, and necessary relevant work-order/ Contract agreement, as documentary evidence.

12.1.2 The Bidder should have experience of Preparation of Detailed Project Report, Detailed Technical & Commercial Tender documents, carrying out post bid activities i.e. tender scrutiny, tender evaluation, carrying out complete work of approval of drawings, documents, procedures, monitoring of the project till PG test.

### **12.2 FINANCIAL CRITERIA:**

12.2.1 The Bidder should have adequate financial capacity and resources to meet the financial obligations pursuant to other scope of the works covered in the bid document. The bidder should submit audited copies of his profit and loss account and balance sheet for the last (immediate) three years.

- 12.2.2 Average Annual financial turnover of bidder during the last 3 years, ending 31<sup>st</sup> March of the previous financial year, should be more than Rs. 150 Lakh.
- 12.2.3 The Net Worth of bidders on the last day of the preceding financial year should not be less than 100% of the paid up share capital.
- 12.2.4 In case the bidder does not satisfy the technical criteria at 12.1.1 & financial criteria stipulated at 12.2.2 to 12.2.3 on its own, then the financial & technical credentials of its holding company shall be submitted along with letter of undertaking from its Holding company supported by the Legal Document pledging unconditional and irrevocable financial & technical support to the bidder for the execution of the contract till completion of defect liability period of this projects.

**BIDDERS TO NOTE THAT:**

1. Please note that, Net Worth means sum of paid up share capital and free reserves. Free reserves shall mean all reserves credited out of the profit and share premium account but not include reserves credited out of the revaluation of assets, write back of depreciation provision and amalgamation. Further, any debit balance and profit and loss account and miscellaneous expenses to the extent not adjusted or return off, if any, shall be reduced from the reserves and surplus. Other income shall not be considered for arriving at annual turnover.
2. The bidder should submit the documentary evidence such as audited profit & loss Statement, Net worth Statement. Balance sheet etc. In case audited results for the last preceding financial year are not available, certification of financial statement from practicing Chartered Accountant shall be acceptable.
3. Any bidder from a country which shares a land border with India will be eligible to bid in this tender, only if, the bidder is registered with the Competent Authority (As per F.No. 6/18/2019-PPD, Ministry of Finance, Department of Expenditure, Public Procurement Division dated 23.07.2020). The registration should be valid at the time of submission of bids and at the time of acceptance of bids.
4. "Bidder" means any person or firm or company, including any member of a consortium or joint venture (that is an association of several persons, or firms or companies), every artificial judicial person not falling in any of the descriptions of bidders stated hereinbefore, including any agency branch or office controlled by such person, participating in a procurement process.
5. Bidder from a country which shares a land border with India means :-
  - a. An entity incorporated, established or registered in such a country; or

- b. A subsidiary of an entity incorporated, established or registered in such a country ; or
  - c. An entity substantially controlled through entities incorporated, established or registered in such a country; or
  - d. An entity whose beneficial owner is situated in such a country; or
  - e. An Indian (or other) agent of such an entity; or
  - f. An natural person who is a citizen of such a country; or
  - g. A consortium or joint venture where any member of the consortium or joint venture falls under any of the above
6. The beneficial owner for the purpose of 7) above will be as under :
- a. In case of a company or Limited Liability Partnership, the beneficial owner is the natural persons(s), who, whether acting alone or together, or through one or more juridical person, has a controlling ownership interest or who exercises control through other means.

Explanation-

- i. "Controlling ownership interest" means ownership of or entitlement to more than twenty-five percent of shares or capital or profits of the company.
  - ii. "Control" shall include the right to appoint majority of the directors or to control the management or policy decisions including by virtue of their shareholding or management rights or shareholders agreements or voting agreements.
- b. In case of a partnership firm, the beneficial owner is the natural person(s) who, whether acting alone or together, or through one or more juridical person, has ownership of entitlement to more than fifteen percent of capital or profits of the partnership.
  - c. In case of an unincorporated association or body of individuals, the beneficial owner is the natural person(s), who, whether acting alone or together, or through one or more juridical person, has ownership of or entitlement to more than fifteen percent of the property or capital or profits of such association or body of individuals.
  - d. Where no natural person is identified under (a) or (b) or (c) above, the beneficial owner is the relevant natural person who holds the position of senior managing official;
  - e. In case of trust, the identification of beneficial owner(s) shall include identification of the author of the trust, the trustee, the beneficiaries with fifteen percent or more interest in the trust and any other natural person exercising ultimate effective control over the trust through a chain of control or ownership.

7. An agent is a person employed to do any act for another, or to represent another in dealings with third person.
8. The successful bidder shall not be allowed to sub-contract works to any contractor from a country which shares land border with India unless such contractor is registered with the Competent Authority.

12.3 The bidder shall have adequate engineering workforce with requisite experience in India to carry out engineering consultancy services required for the replacement/retrofitting of Gas Turbine. The Bidder should submit work experience certificate from end user along with copy of relevant work order /LOA/ contract agreement. Bidder should have workforce as tabulated below

Sr. No.	Category	Qualification & Experience	Minimum requirement
1.	Technical Lead/ Advisor	Graduate/PG in Mechanical Engineering with minimum 10 years' experience.  He will be responsible for the overall progress of the project. He will lead the entire project team. He should have advised minimum two projects in preparation of EPC contract for implementation of Combined Cycle Power Plant of Gas Turbine Uran Replacement/Retrofitting for thermal plant unit of more than 200 MW capacities.	1 No.
2.	Sr. Field Engineer	Graduate in Mechanical Engineering with minimum 5 years' experience.  He will be responsible for the project implementation, monitoring & relevant suggestions for Gas Turbine Retrofitting/ replacement project. He should have experience of implementing minimum two projects of Gas Turbine Retrofitting/ replacement project for Gas plant unit of more than 200 MW capacities.	1 No.
3.	Financial Expert	CA/ICWA/MBA (Finance) with minimum 5 years of experience.He should have experience in planning the financial models & roadmap for power/energy sector	1 No.
4.	Mechanical Engineer	Degree in Mechanical Engineering with minimum 2 years' experience.He should have experience in	1 No.

		mechanical consulting services.	
5.	Electrical Engineer	Degree in Electrical Engineering with minimum 2 years' experience. He should have experience in electrical consulting services	1 No.
6.	Control & Instrumentation	Degree in Electrical/Electronics/Instrumentation Engineering or equivalent stream with minimum 2 years' experience. He should have experience in Control & Instrumentation consulting services	1 No.

Bidder should submit details (CV) of experienced and qualified personnel.

12.4 Bidder should not be under ban/debarment by any Central/state Govt. organization.

All above qualifying requirements are to be read in totality and not in isolation.